

SPLIT TYPE
ROOM AIR CONDITIONER
WALL MOUNTED TYPE

SERVICE MANUAL

Indoor unit	Outdoor unit
ASYG30LMTA	AOYG30LMTA
ASYG36LMTA	AOYG36LMTA



CONTENTS

SPECIFICATIONS.....	1
DIMENSIONS.....	2
REFRIGERANT SYSTEM DIAGRAM....	4
CIRCUIT DIAGRAM.....	5
PCB CIRCUIT DIAGRAM.....	6
ERROR DETECTION.....	8
PARTS (INDOOR UNIT).....	9
PARTS (OUTDOOR UNIT).....	17
ACCESSORIES.....	21

SPECIFICATIONS

ELECTRICAL DATA

INDOOR UNIT		ASYG30LMTA	ASYG36LMTA
OUTDOOR UNIT		AOYG30LMTA	AOYG36LMTA
TYPE		Cooling & Heating	
POWER SOURCE		Single phase, 230 V, 50 Hz	
Cooling	CAPACITY	8.00 kW	9.40 kW
	POWER CONSUMPTION	2.33 kW	3.16 kW
	EER	3.43 kW/kW	2.97 kW/kW
	OPERATING CURRENT	10.2 A	13.9 A
	MAXIMUM CURRENT	14.5 A	19.0 A
	DEHUMIDIFICATION	2.7 L/h	3.7 L/h
Heating	CAPACITY	8.8 kW	10.10 kW
	POWER CONSUMPTION	2.41 kW	2.96 kW
	COP	3.65 kW/kW	3.41 kW/kW
	OPERATING CURRENT	10.5 A	13.0 A
	MAXIMUM CURRENT	14.5 A	19.0 A

FAN MOTOR

INDOOR UNIT	MFD-Z80XA3N
OUTDOOR UNIT	MFE-60TVT

FAN REVOLUTION

INDOOR UNIT	High	1,370 r.p.m.	
	Medium	1,150 r.p.m.	
	Low	950 r.p.m.	
	Quiet	780 r.p.m.	
OUTDOOR UNIT	Cooling	850 r.p.m.	900 r.p.m.
	Heating	850 r.p.m.	900 r.p.m.

AIR CIRCULATION

INDOOR UNIT	High	1,380 m3/h	
	Medium	1,130 m3/h	
	Low	910 m3/h	
	Quiet	710 m3/h	
OUTDOOR UNIT	Cooling	3,600 m3/h	3,800 m3/h
	Heating	3,600 m3/h	3,800 m3/h

NOISE LEVEL

INDOOR UNIT Cooling	High	50 dB	
	Medium	44 dB	
	Low	38 dB	
	Quiet	31 dB	
INDOOR UNIT Heating	High	49 dB	
	Medium	44 dB	
	Low	39 dB	
	Quiet	33 dB	
OUTDOOR UNIT	Cooling	52 dB	55 dB
	Heating	54 dB	56 dB

COMPRESSOR AND REFRIGERANT

COMPRESSOR TYPE	Hermetic type, Inverter, 6 poles, DC motor, Twin Rotary		
DISCRIMINATION	N-TF30ND1A		
WEIGHT (with oil)	15.3 kg		
PRECHARGED REFRIGERANT	2,100 g		
REFRIGERANT TYPE	R410A		
FULL CHARGE	Piping length	20 m	2,100 g
		30 m	2,500 g
		40 m	2,900 g
		50 m	3,300 g
ADDITIONAL CHARGE	40 g/m		
MAXIMUM PIPING HEIGHT DIFFERENCE	30 m		

DIMENSIONS

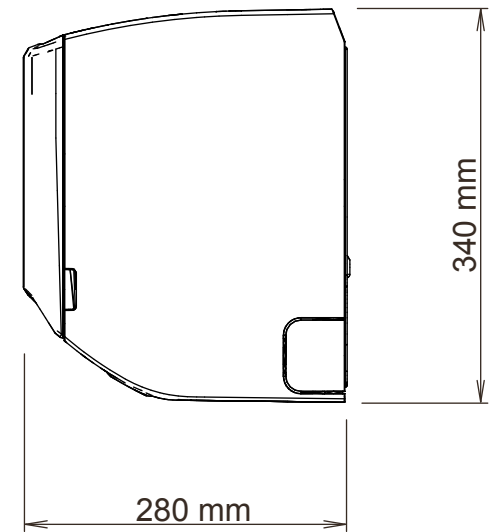
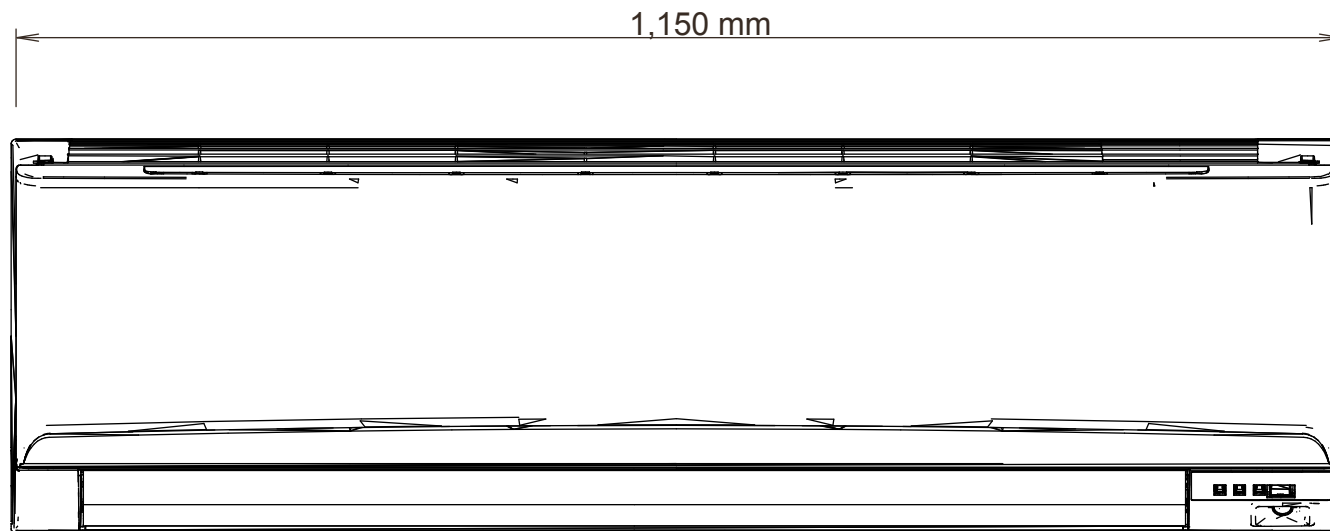
INDOOR UNIT	H x W x D	340 x 1,150 x 280 mm
OUTDOOR UNIT	H x W x D	830 x 900 x 330 mm

WEIGHT

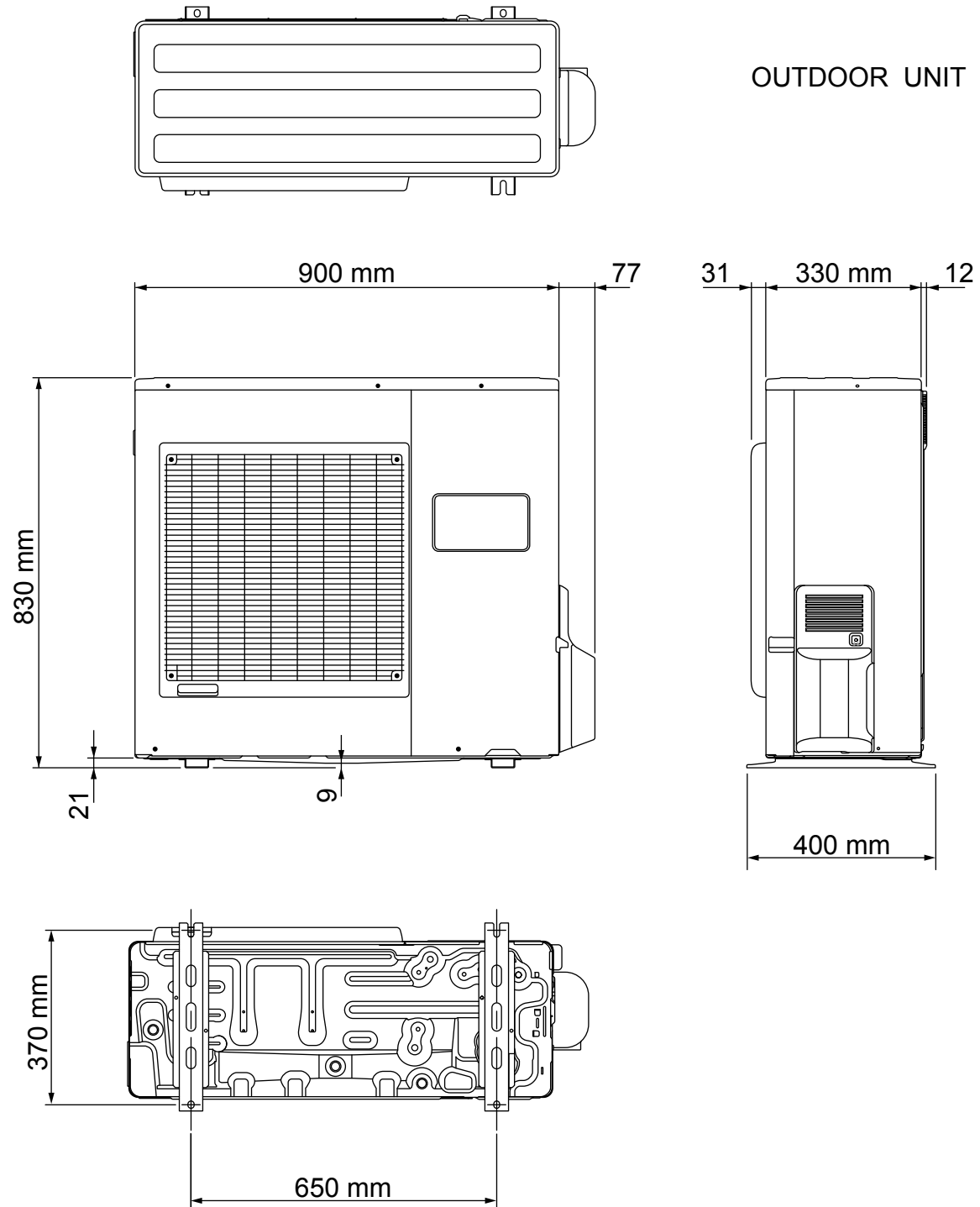
INDOOR UNIT	Net / Shipping	18 kg / 24 kg
OUTDOOR UNIT	Net / Shipping	61 kg / 68 kg

DIMENSIONS

INDOOR UNIT



OUTDOOR UNIT

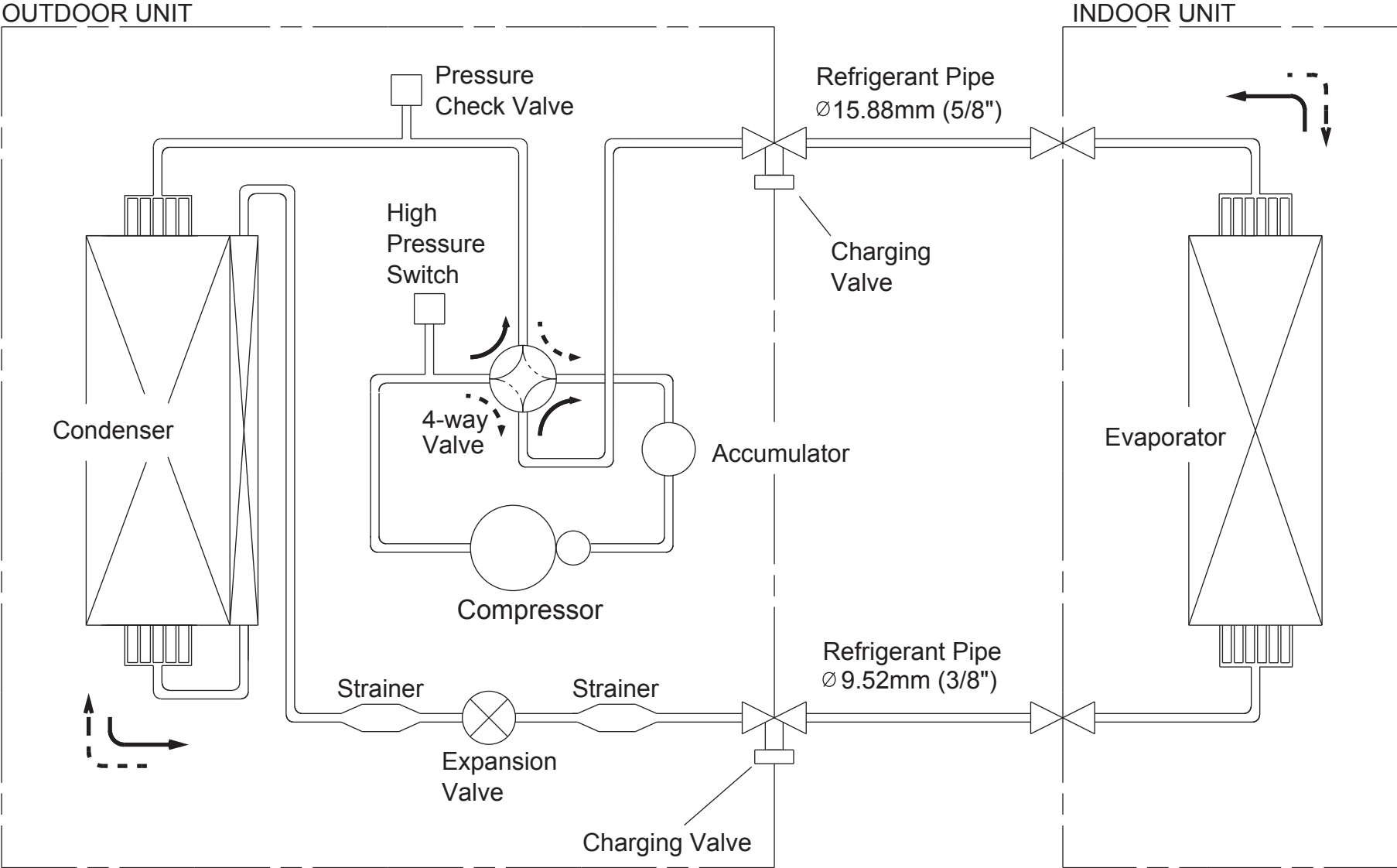


REFRIGERANT SYSTEM DIAGRAM

Refrigerant direction

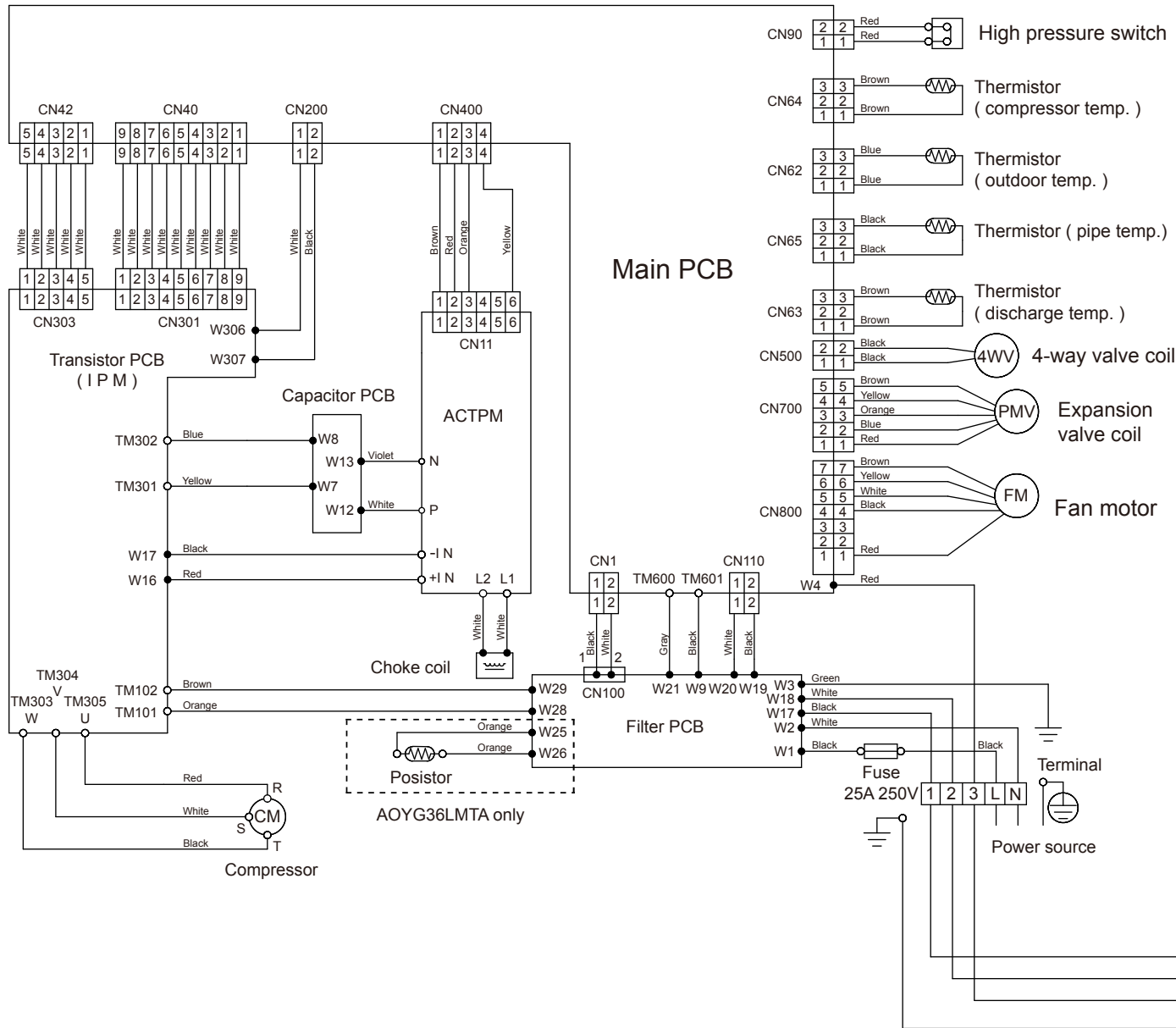
—▶ : Cool

- - -▶ : Heat

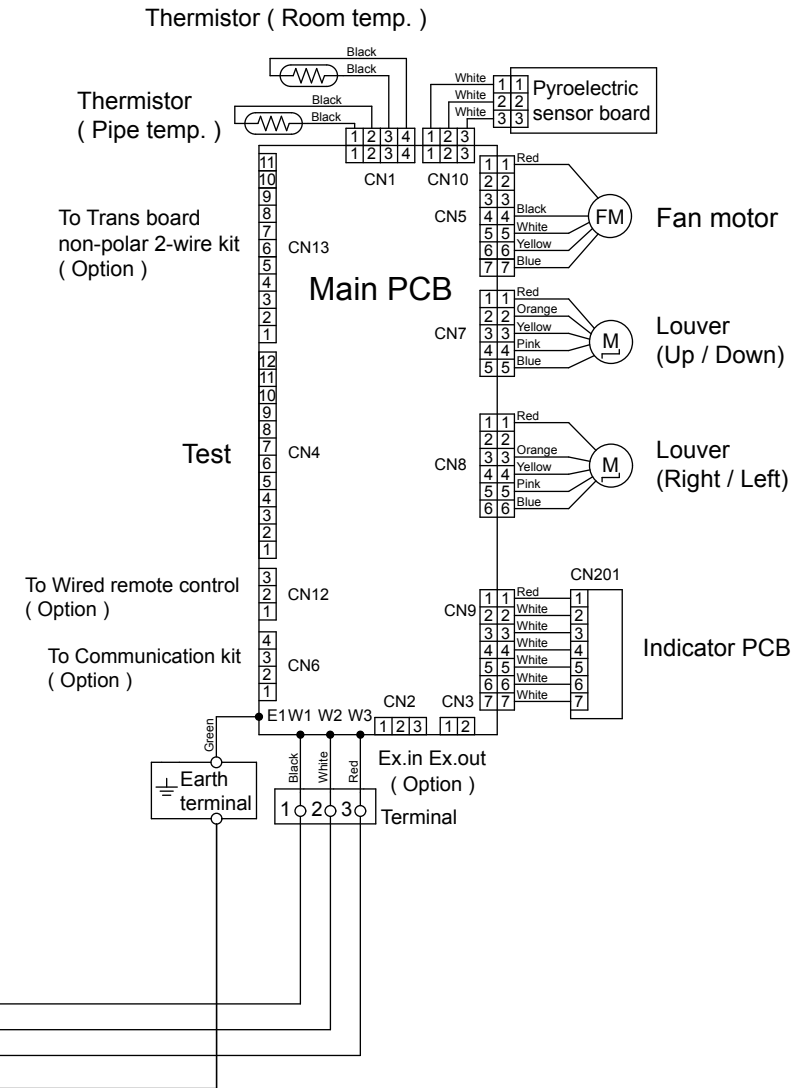


CIRCUIT DIAGRAM

OUTDOOR UNIT



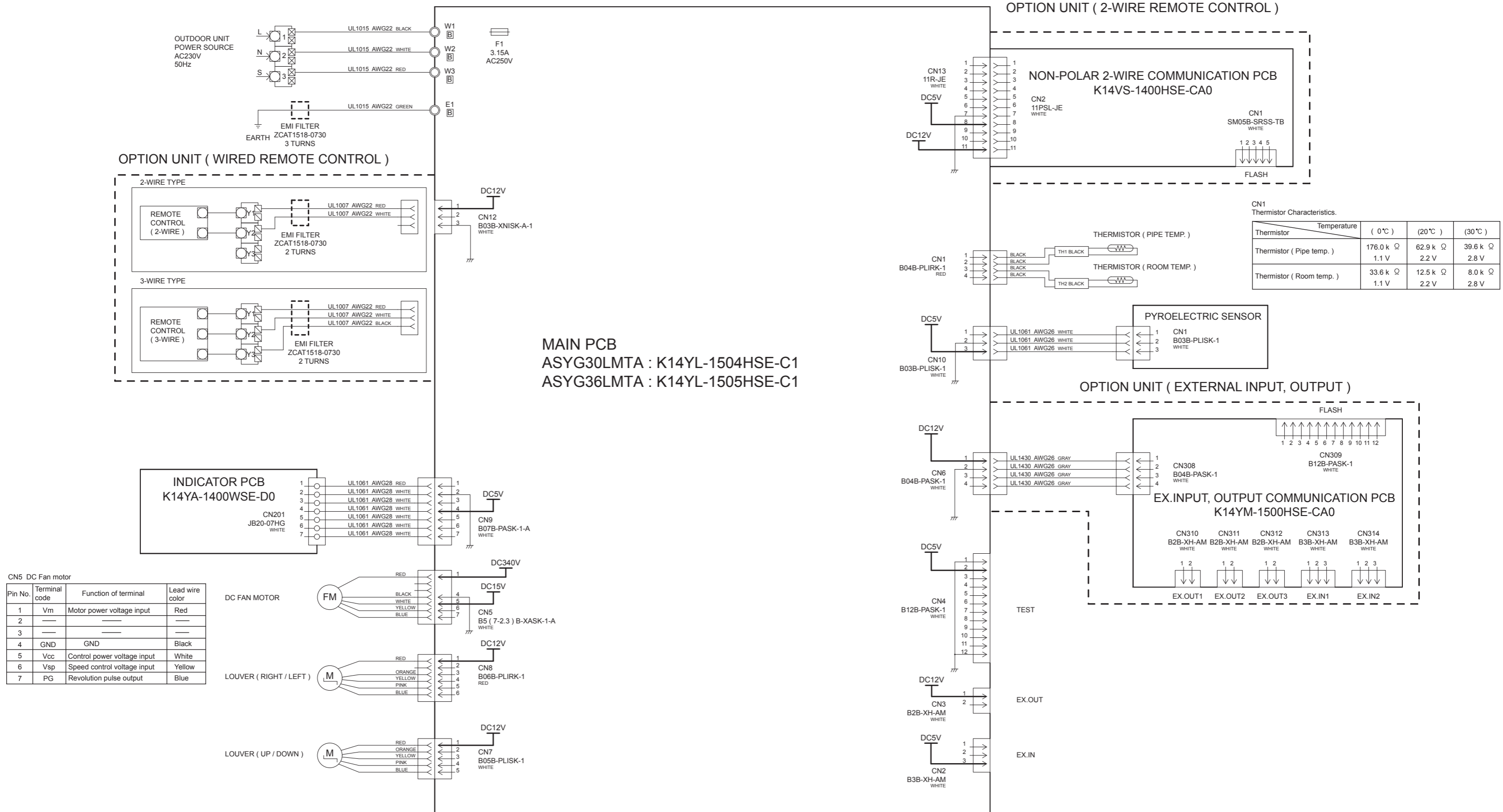
INDOOR UNIT



PCB CIRCUIT DIAGRAM

INDOOR UNIT

CONTROL UNIT
 ASYG30LMTA : EZ-015SHSE
 ASYG36LMTA : EZ-015THSE



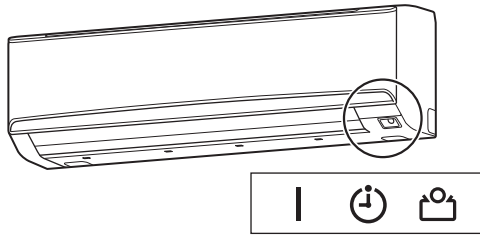
ERROR DETECTION

If you use a wireless remote control, the lamp on the photo detector unit will output error codes by way of blinking patterns.

If you use a wired remote control, error codes will appear on the remote control display. See the lamp blinking patterns and error codes in the table.

An error display is displayed only during operation.

Troubleshooting with the indoor unit display



OPERATION indicator (green) —
 TIMER indicator (orange) —
 ECONOMY indicator (green) —

Troubleshooting with the wired remote controller display (Option)

If an error occurs, the following display will be shown. ("Er" will appear in the set room temperature display.)



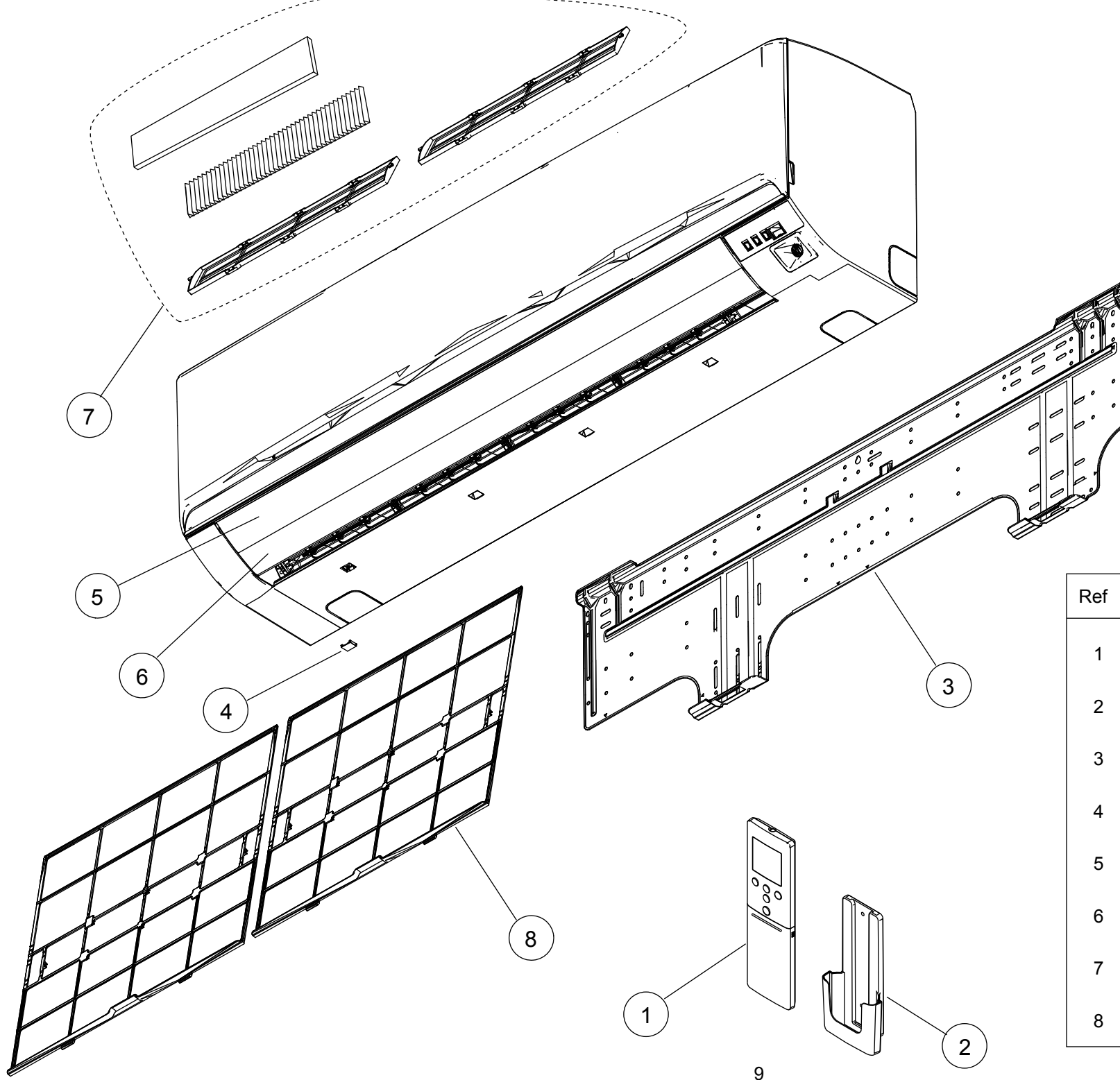
Error display			Wired remote control Error code	Description
OPERATION lamp (green)	TIMER lamp (orange)	ECONOMY lamp (green)		
●(1)	●(1)	◇	11	Serial communication error
●(1)	●(2)	◇	12	• Wired remote control communication error • Server room control communication error
●(1)	●(5)	◇	15	Check run unfinished
●(1)	●(6)	◇	16	Peripheral unit transmission PCB connection error
●(2)	●(1)	◇	21	Unit number or Refrigerant circuit address setting error [Simultaneous Multi]
●(2)	●(2)	◇	22	Indoor unit capacity error
●(2)	●(3)	◇	23	Combination error
●(2)	●(4)	◇	24	• Connection unit number error (indoor slave unit) [Simultaneous Multi] • Connection unit number error (indoor unit or branch unit) [Flexible Multi]
●(2)	●(6)	◇	26	Address setting error in wired remote controller system
●(2)	●(7)	◇	27	Master unit, slave unit set-up error [Simultaneous Multi]
●(3)	●(2)	◇	32	Indoor unit PCB model information error
●(3)	●(5)	◇	35	Manual auto switch error
●(4)	●(1)	◇	41	Room temp. sensor error
●(4)	●(2)	◇	42	Indoor unit Heat Ex. Middle temp. sensor error
●(5)	●(1)	◇	51	Indoor unit fan motor error
●(5)	●(3)	◇	53	Drain pump error
●(5)	●(7)	◇	57	Damper error
●(5)	●(8)	◇	58	Intake grille error
●(5)	●(15)	◇	5U	Indoor unit error
●(6)	●(2)	◇	62	Outdoor unit main PCB model information error or communication error
●(6)	●(3)	◇	63	Inverter error

●(6)	●(4)	◇	64	Active filter error, PFC circuit error
●(6)	●(5)	◇	65	Trip terminal L error
●(6)	●(10)	◇	6A	Display PCB microcomputers communication error
●(7)	●(1)	◇	71	Discharge temp. sensor error
●(7)	●(2)	◇	72	Compressor temp. sensor error
●(7)	●(3)	◇	73	Outdoor unit Heat Ex. liquid temp. sensor error
●(7)	●(4)	◇	74	Outdoor temp. sensor error
●(7)	●(5)	◇	75	Suction Gas temp. sensor error
●(7)	●(6)	◇	76	• 2-way valve temp. sensor error • 3-way valve temp. sensor error
●(7)	●(7)	◇	77	Heat sink temp. sensor error
●(8)	●(2)	◇	82	• Sub-cool Heat Ex. gas inlet temp. sensor error • Sub-cool Heat Ex. gas outlet temp. sensor error
●(8)	●(3)	◇	83	Liquid pipe temp. sensor error
●(8)	●(4)	◇	84	Current sensor error
●(8)	●(6)	◇	86	• Discharge pressure sensor error • Suction pressure sensor error • High pressure switch error
●(9)	●(4)	◇	94	Trip detection
●(9)	●(5)	◇	95	Compressor rotor position detection error
●(9)	●(7)	◇	97	Outdoor unit fan motor error
●(9)	●(9)	◇	99	4-way valve error
●(10)	●(1)	◇	A1	Discharge temp. error
●(10)	●(3)	◇	A3	Compressor temp. error
●(10)	●(4)	◇	A4	High pressure error
●(10)	●(5)	◇	A5	Low pressure error
●(13)	●(2)	◇	J2	Branch boxes error [Flexible Multi]

Display mode ● : 0.5s ON / 0.5s OFF
 ◇ : 0.1s ON / 0.1s OFF
 () : Number of flashing

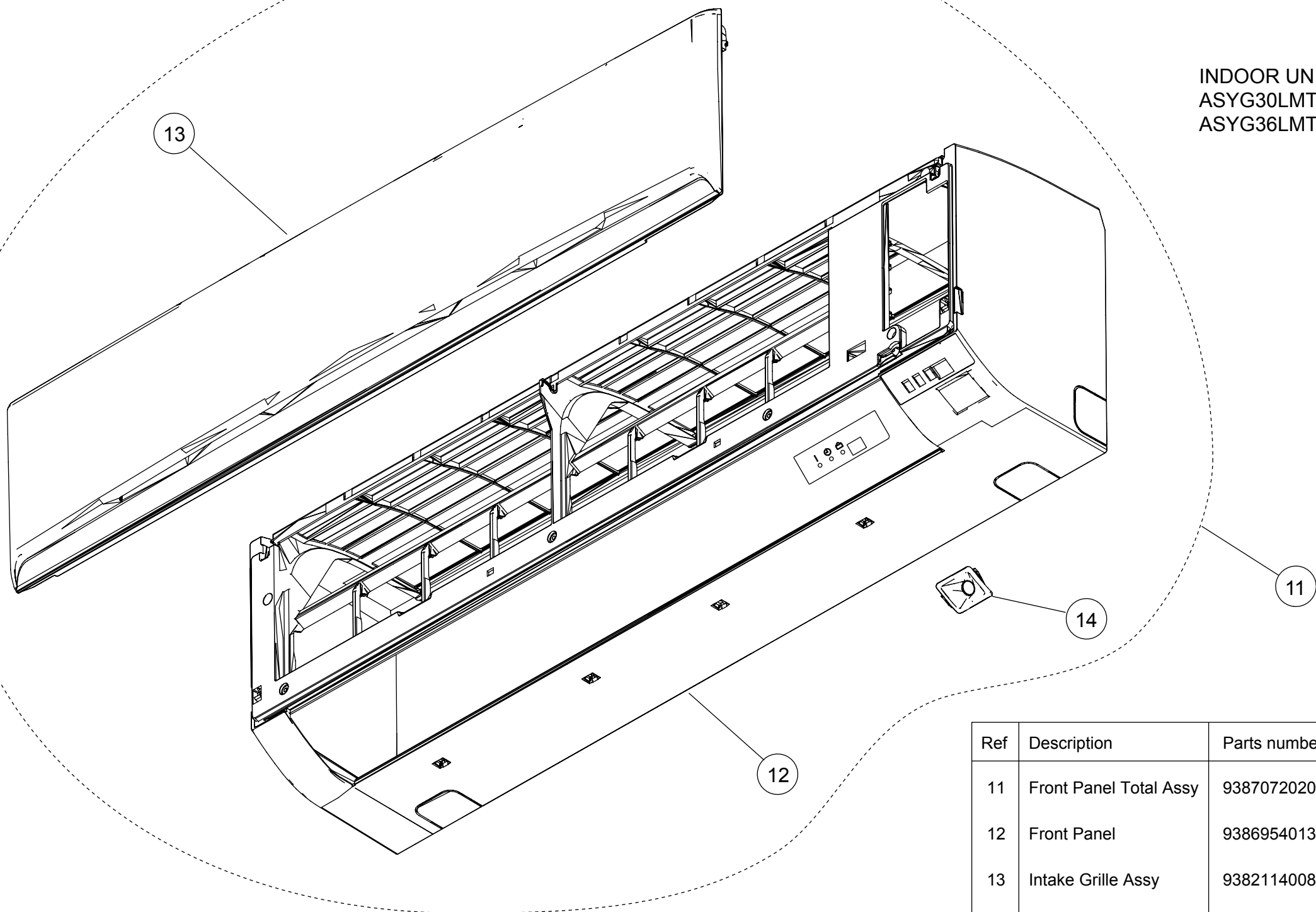
PARTS

INDOOR UNIT
ASYG30LMTA
ASYG36LMTA



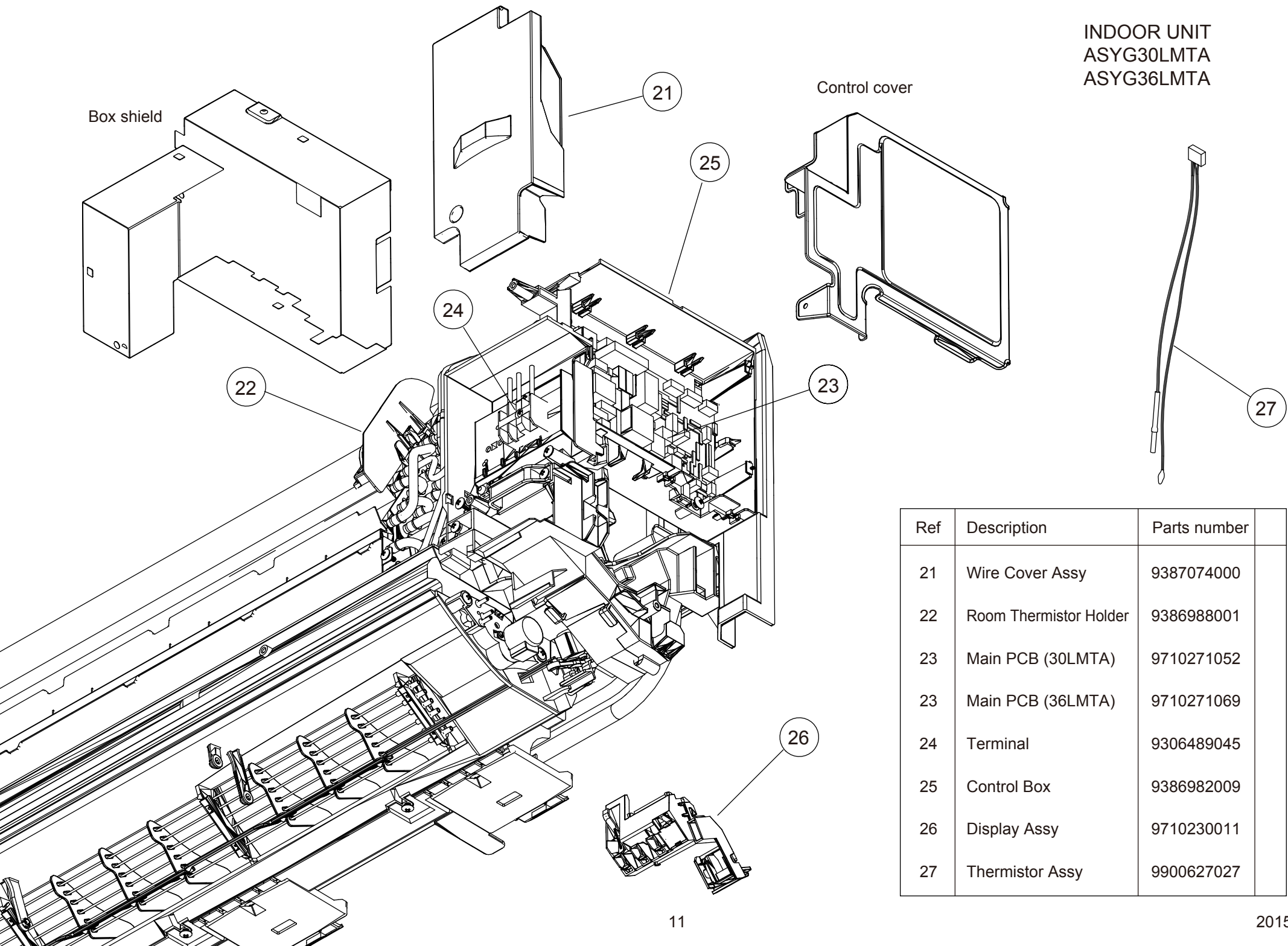
Ref	Description	Parts number
1	Remote Control (no brand)	9320360023
2	Remote Control Holder	9318912005
3	Bracket Panel	9386990004
4	Screw Cap	9386986007
5	Louver U (Upper)	9386958004
6	Louver Z (Lower)	9386959001
7	Air Clean Filter Assy	9315212016
8	Air Filter	9386960007

INDOOR UNIT
 ASYG30LMTA
 ASYG36LMTA



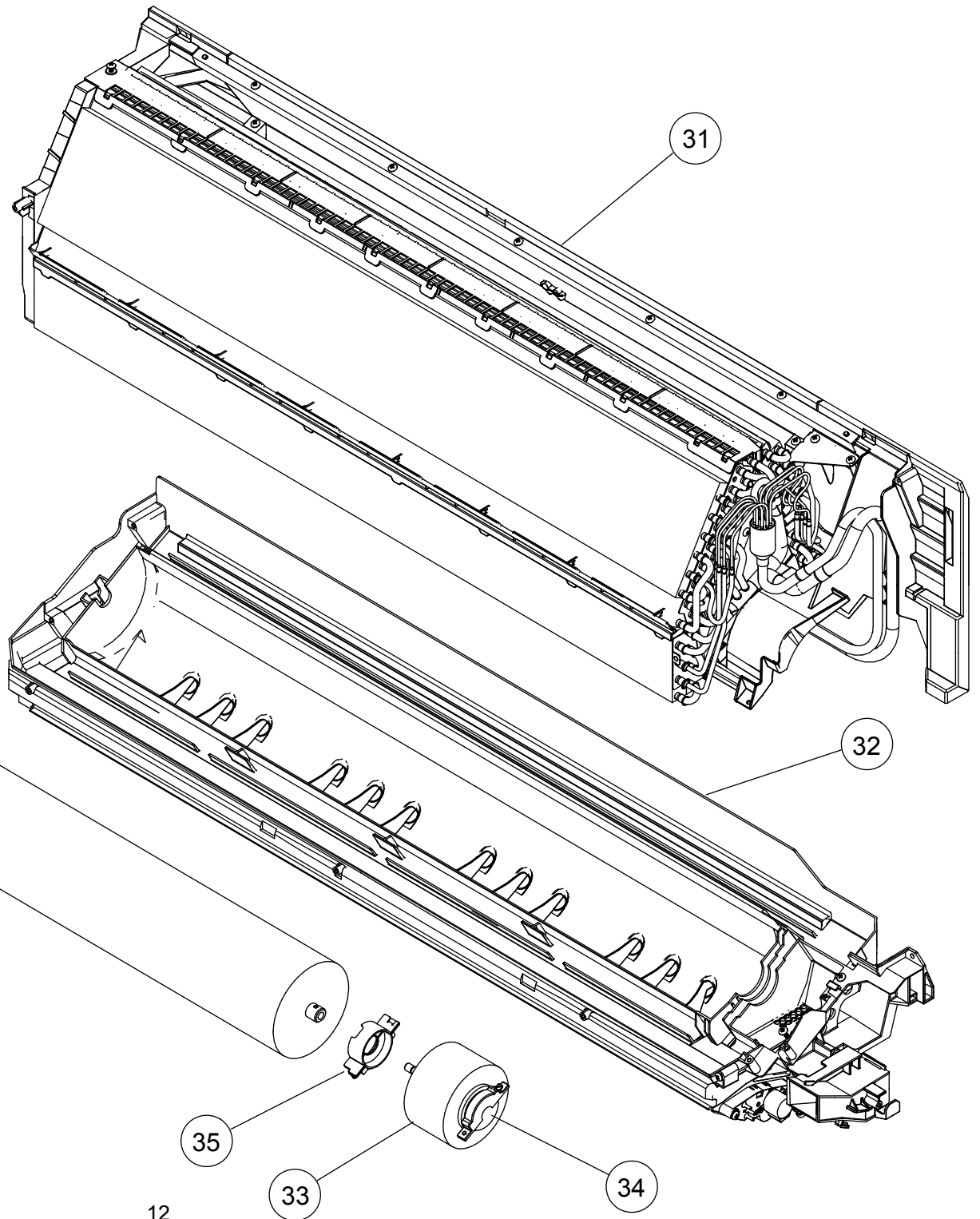
Ref	Description	Parts number
11	Front Panel Total Assy	9387072020
12	Front Panel	9386954013
13	Intake Grille Assy	9382114008
14	Front Panel Cover	9386999007

INDOOR UNIT
ASYG30LMTA
ASYG36LMTA



Ref	Description	Parts number
21	Wire Cover Assy	9387074000
22	Room Thermistor Holder	9386988001
23	Main PCB (30LMTA)	9710271052
23	Main PCB (36LMTA)	9710271069
24	Terminal	9306489045
25	Control Box	9386982009
26	Display Assy	9710230011
27	Thermistor Assy	9900627027

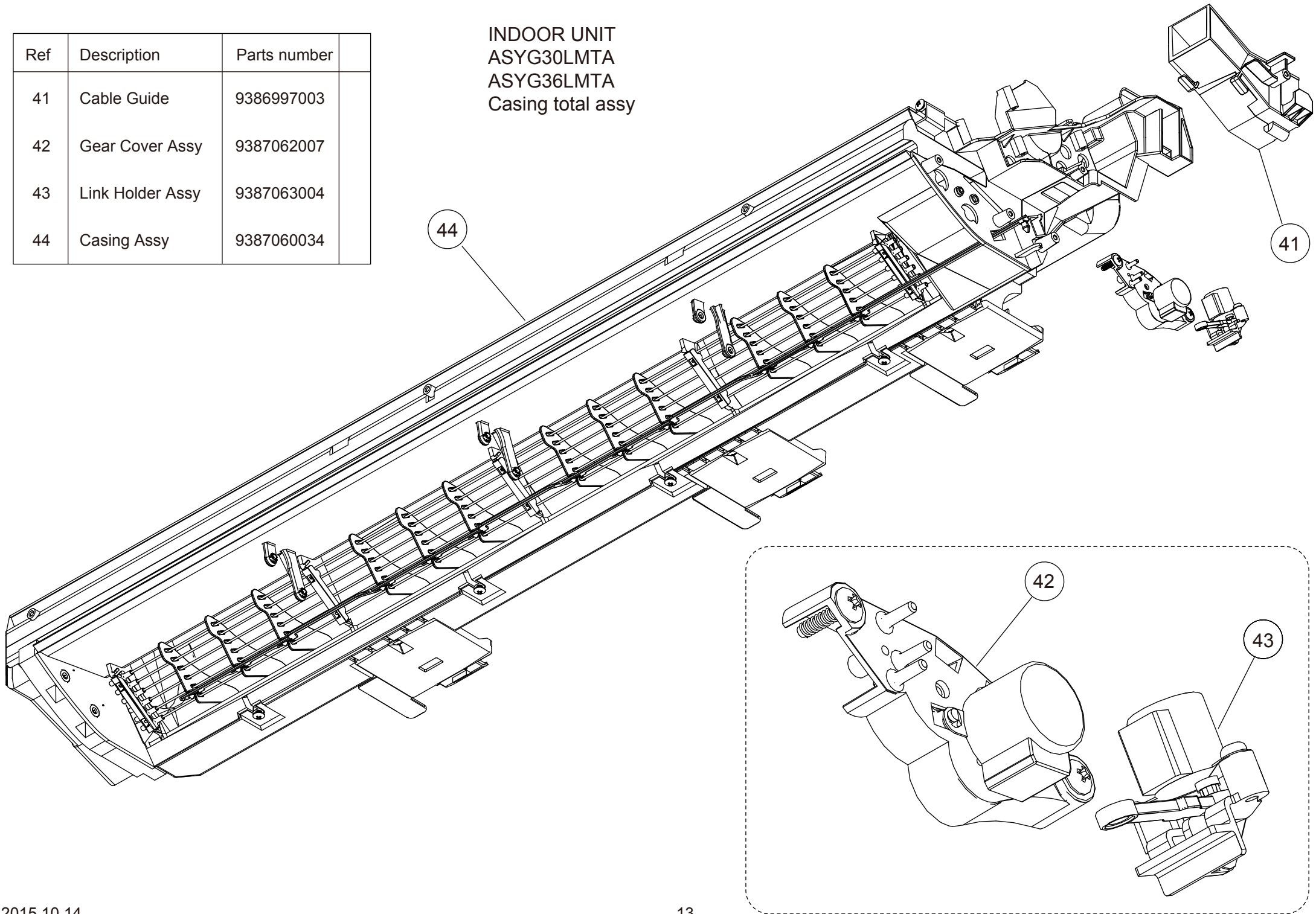
Ref	Description	Parts number
31	Evaporator Total Assy	9382185008
32	Casing Total Assy	9387059052
33	Fan Motor	9603458010
34	Motor Cover	9316601000
35	Motor Cover	9316568006
36	Crossflow Fan Assy	9387055009
37	Bearing C Assy	9306628017

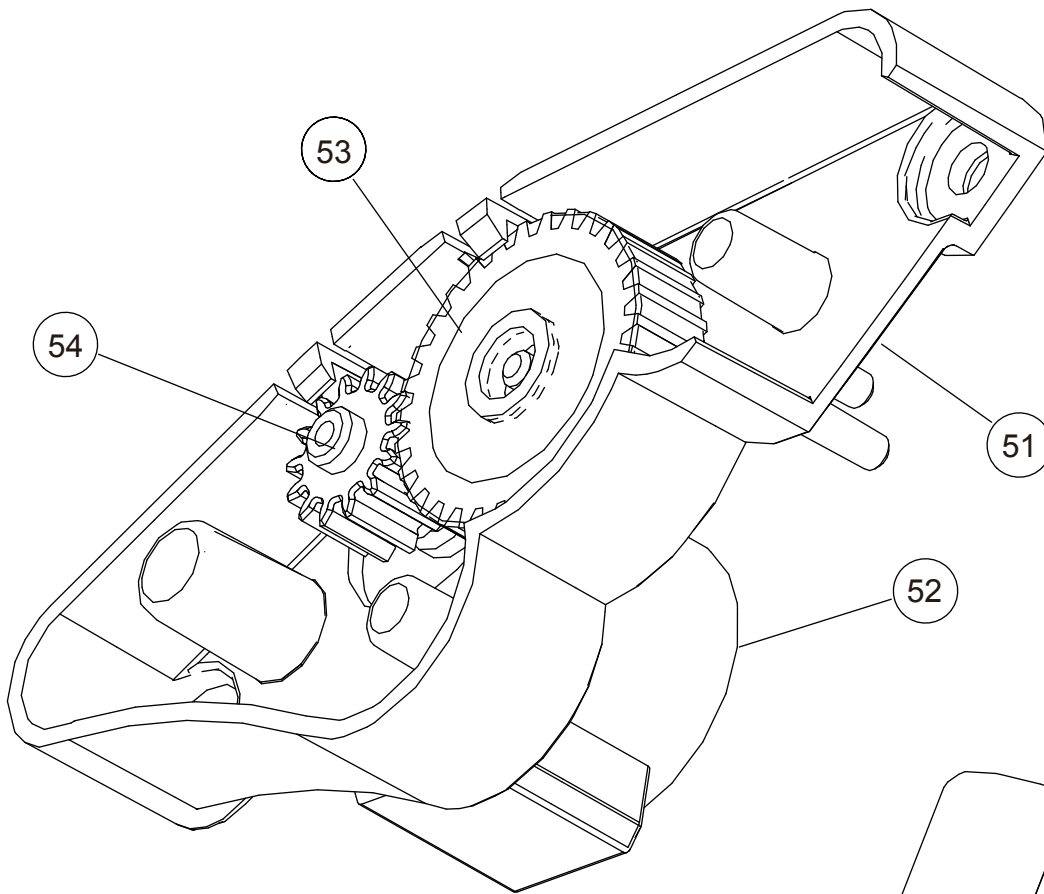


INDOOR UNIT
 ASYG30LMTA
 ASYG36LMTA

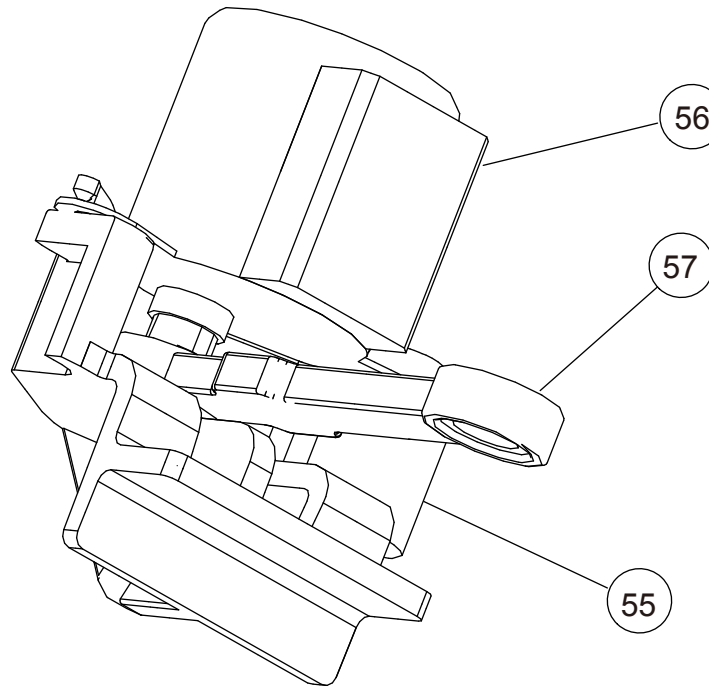
Ref	Description	Parts number
41	Cable Guide	9386997003
42	Gear Cover Assy	9387062007
43	Link Holder Assy	9387063004
44	Casing Assy	9387060034

INDOOR UNIT
 ASYG30LMTA
 ASYG36LMTA
 Casing total assy



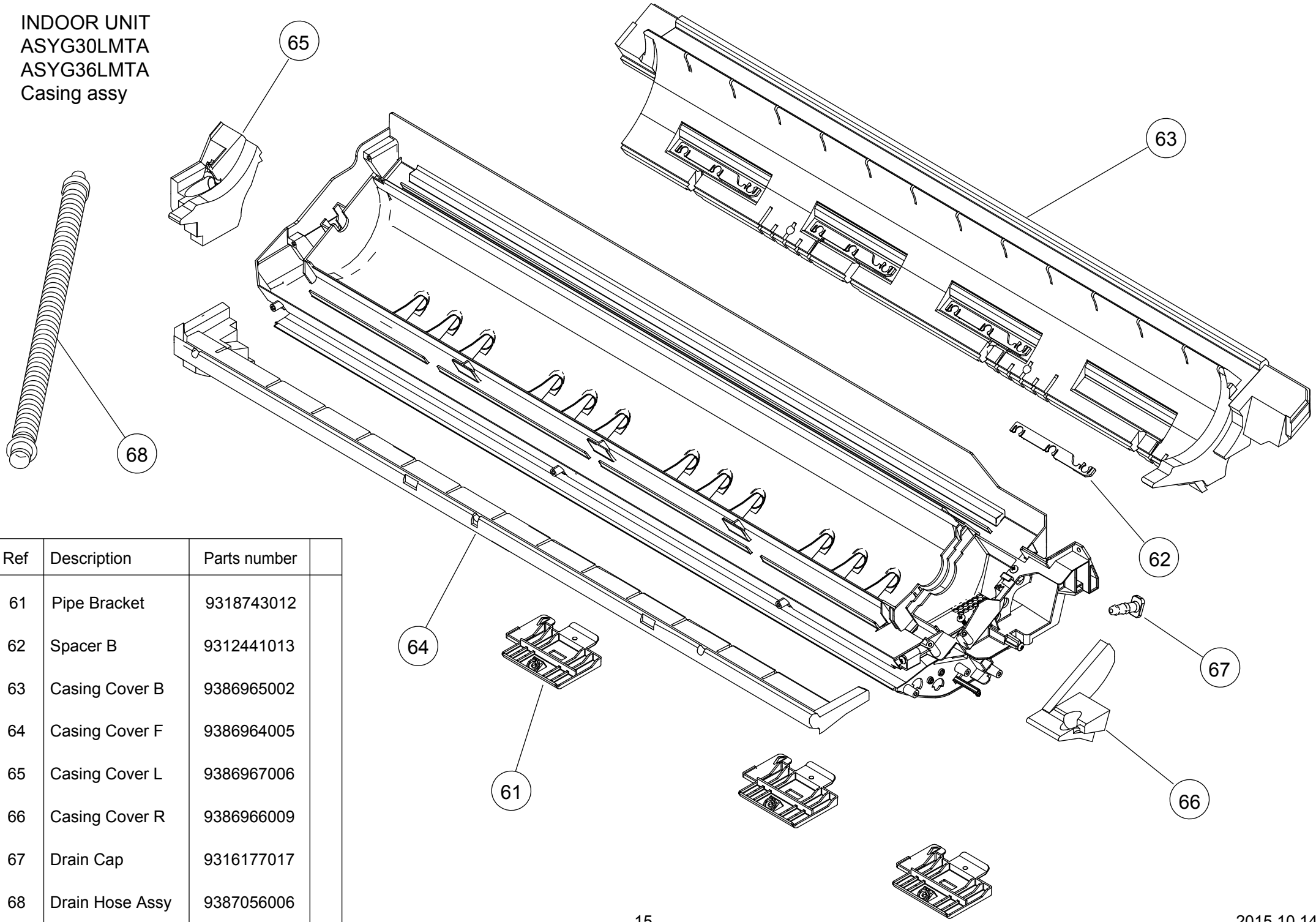


Ref	Description	Parts number
51	Gear Cover A	9386970006
52	Step Motor	9900384234
53	Louver Gear	9317648004
54	Gear A	9309994003
55	Link Holder	9315007018
56	Step Motor	9900139186
57	Link A	9386972000



INDOOR UNIT
 ASYG30LMTA
 ASYG36LMTA
 Gear cover assy
 Link holder assy

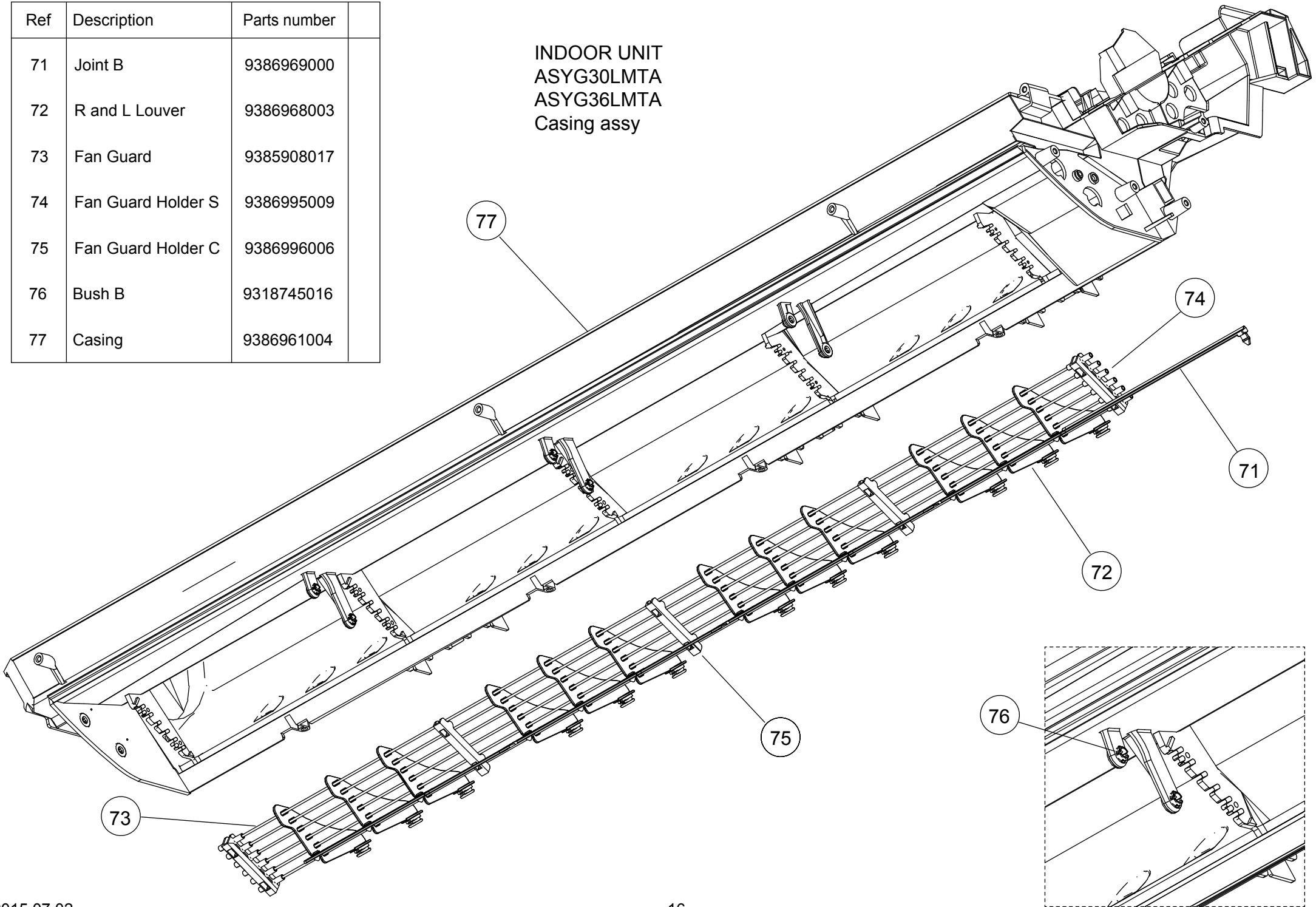
INDOOR UNIT
 ASYG30LMTA
 ASYG36LMTA
 Casing assy

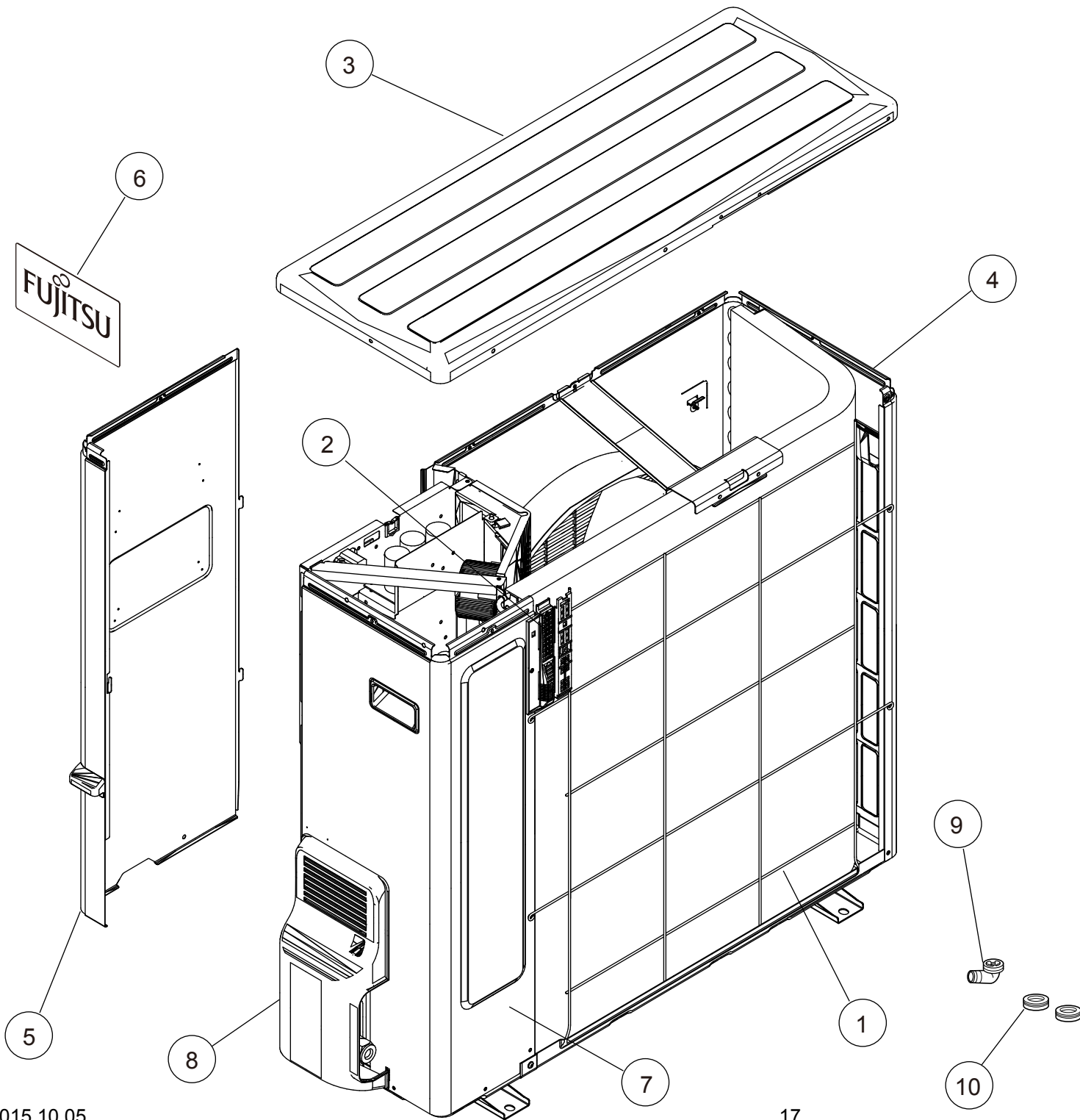


Ref	Description	Parts number
61	Pipe Bracket	9318743012
62	Spacer B	9312441013
63	Casing Cover B	9386965002
64	Casing Cover F	9386964005
65	Casing Cover L	9386967006
66	Casing Cover R	9386966009
67	Drain Cap	9316177017
68	Drain Hose Assy	9387056006

Ref	Description	Parts number
71	Joint B	9386969000
72	R and L Louver	9386968003
73	Fan Guard	9385908017
74	Fan Guard Holder S	9386995009
75	Fan Guard Holder C	9386996006
76	Bush B	9318745016
77	Casing	9386961004

INDOOR UNIT
ASYG30LMTA
ASYG36LMTA
Casing assy





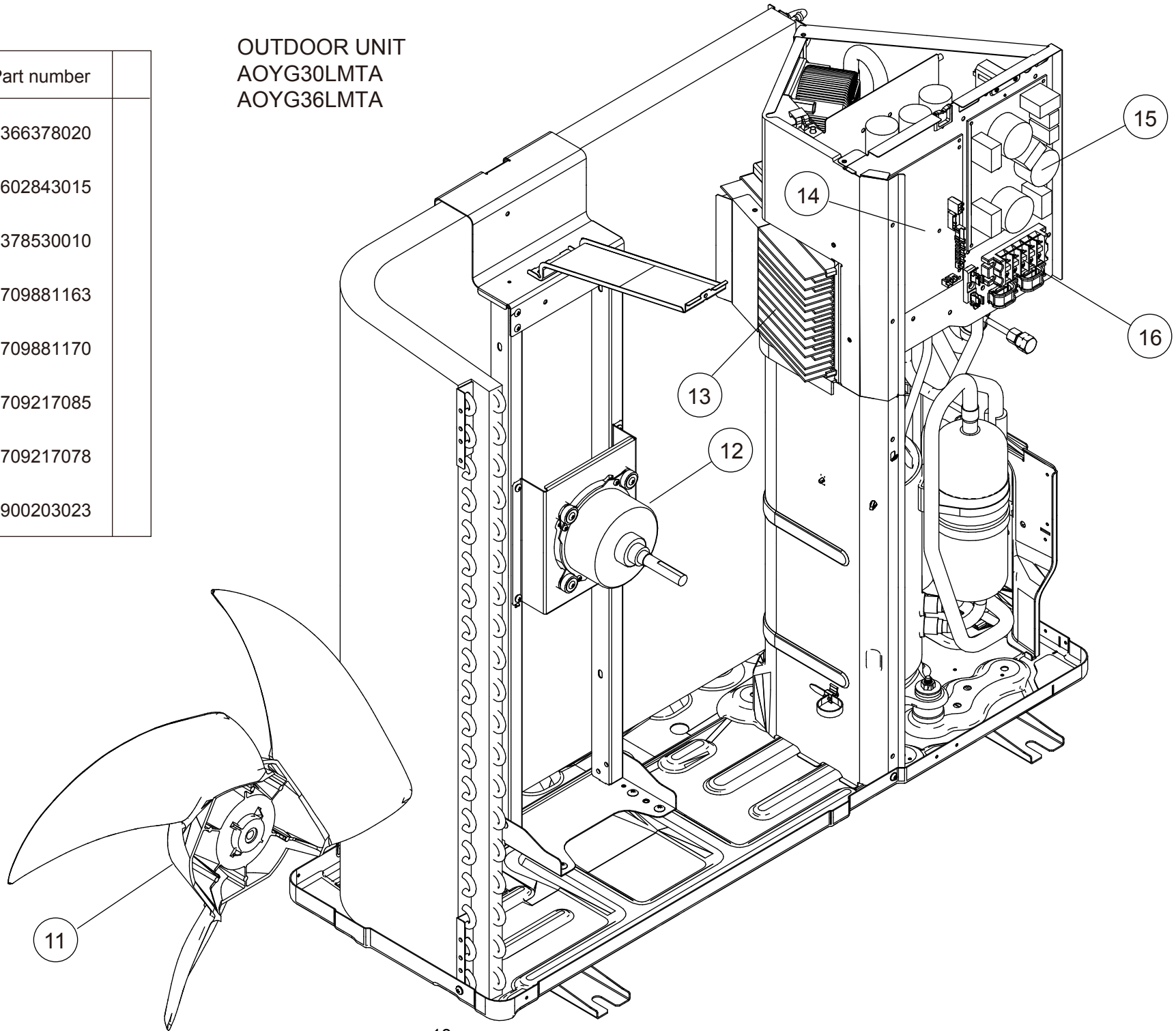
PARTS

OUTDOOR UNIT
AOYG30LMTA
AOYG36LMTA

Ref.	Description	Part number
1	Protective Net	9375381011
2	Thermo Holder	9375211011
3	Top Panel Sub Assy	9374417032
4	Front Panel Sub Assy	9374414079
5	Service Panel Sub Assy	9374415052
6	Emblem Rear	9351355005
7	Right Panel Sub Assy	9374416127
8	Valve Cover	9374174010
9	Drain Assy	9303029015
10	Drain Cap	313166024302

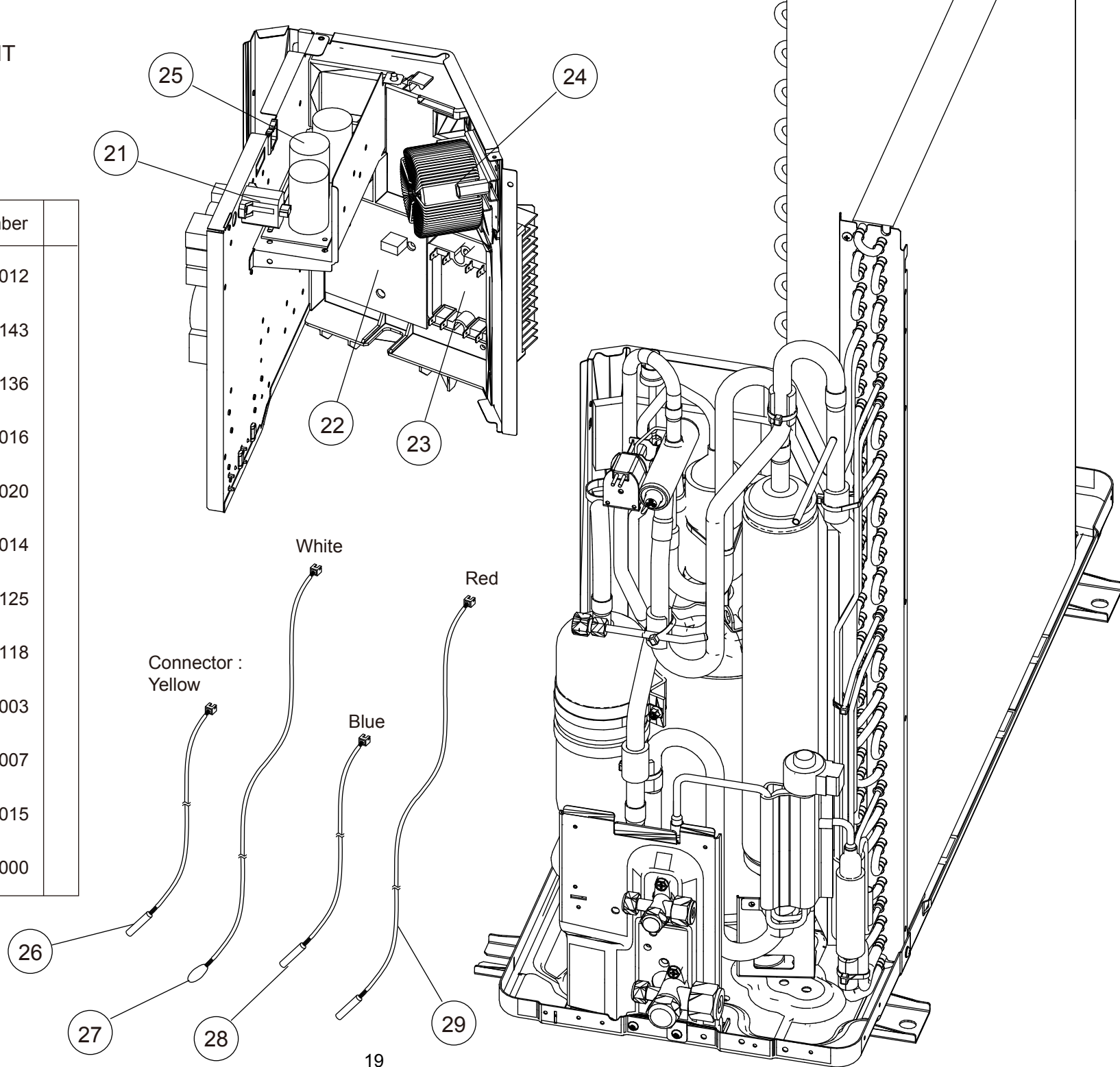
Ref.	Description	Part number
11	Propeller Fan Assy	9366378020
12	Fan Motor	9602843015
13	Heatsink	9378530010
14	Main PCB (30LMTA)	9709881163
14	Main PCB (36LMTA)	9709881170
15	Filter PCB (30LMTA)	9709217085
15	Filter PCB (36LMTA)	9709217078
16	Terminal 5P	9900203023

OUTDOOR UNIT
AOYG30LMTA
AOYG36LMTA

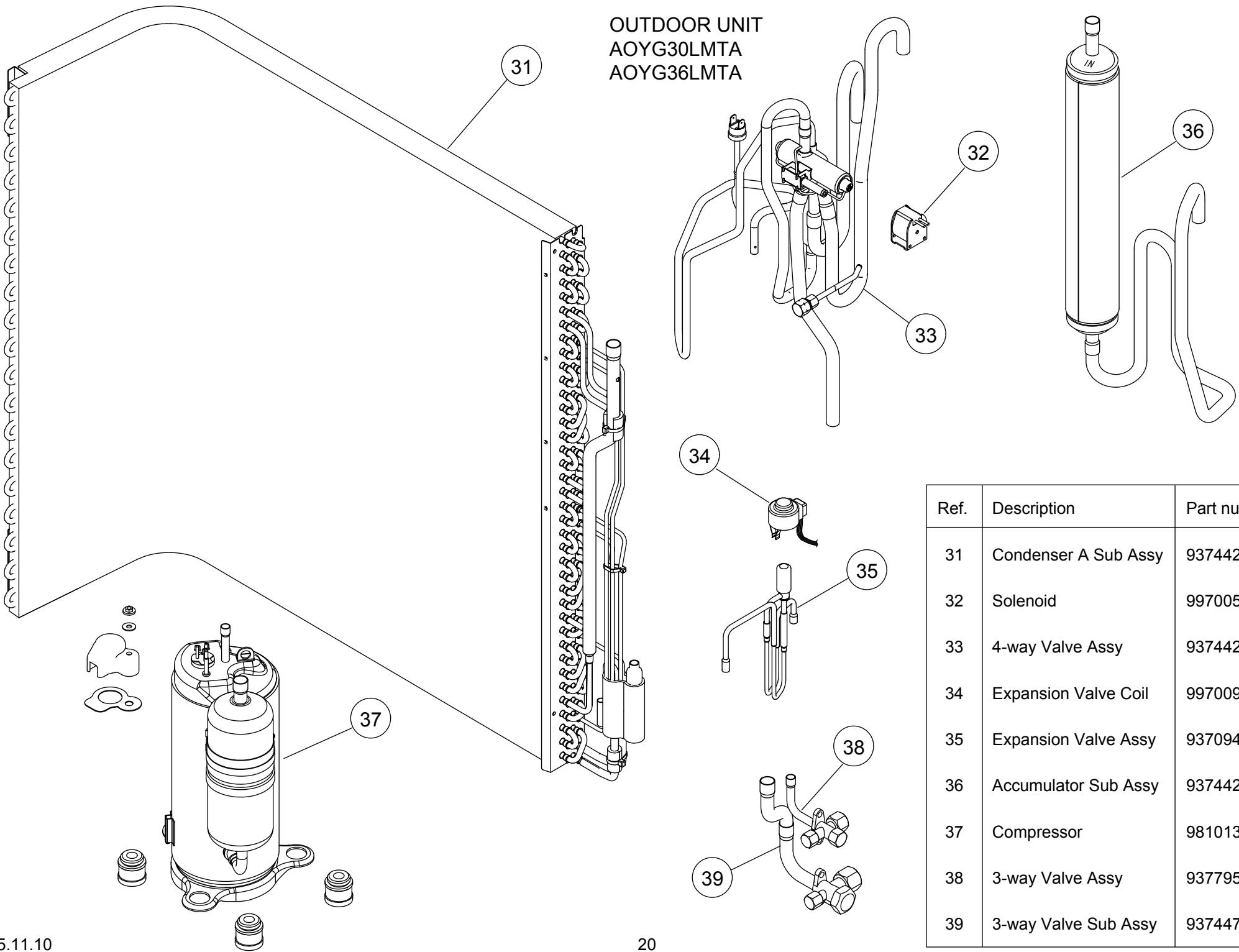


OUTDOOR UNIT
AOYG30LMTA
AOYG36LMTA

Ref.	Description	Part number
21	PFC Thermistor (36 only)	9704265012
22	Transistor PCB (30)	9708512143
22	Transistor PCB (36)	9708512136
23	ACTPM	9707592016
24	Choke Coil (30LMTA)	9900390020
24	Choke Coil (36LMTA)	9900223014
25	Capacitor PCB (30)	9709894125
25	Capacitor PCB (36)	9709894118
26	Discharge Thermistor	9900461003
27	Thermistor (Outdoor)	9900463007
28	Compressor Thermistor	9900466015
29	Heat Exchanger Thermistor	9900462000



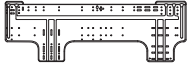
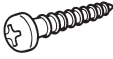
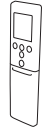







OUTDOOR UNIT
AOYG30LMTA
AOYG36LMTA



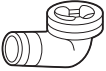

Ref.	Description	Part number
31	Condenser A Sub Assy	9374420308
32	Solenoid	9970055034
33	4-way Valve Assy	9374425198
34	Expansion Valve Coil	9970095030
35	Expansion Valve Assy	9370947144
36	Accumulator Sub Assy	9374426133
37	Compressor	9810135001
38	3-way Valve Assy	9377958013
39	3-way Valve Sub Assy	9374470044

ACCESSORIES

INDOOR UNIT

Name and Shape	Q'ty	Name and Shape	Q'ty
Wall hook bracket 	1	Tapping screw (Large) 	8
Remote control 	1	Tapping screw (Small) 	2
Battery 	2	Air cleaning filter 	2
Remote control holder 	1	Filter holders 	2
Cloth tape 	1	Drain hose insulation 	1

OUTDOOR UNIT

Name and shape	Q'ty	Description
Drain pipe 	1	For outdoor unit drain piping work
Drain cap 	2	

1510G4459